

Brio®



Brio® where ideas unfold

Brio® Zero Clearance

Top hung straight sliding architectural systems
for panels up to 350kg

Brio® where ideas unfold

Watch your adventurous architectural ideas unfold into exciting reality with the Brio range of sliding and folding door hardware.

Brio is passionate about shaping the spaces in which people live, work and play. With subsidiaries in the UK and USA – Brio is recognised by architects worldwide as a leading design and manufacturing company.

Brio's R&D department brings a strong design element to the business, developing and testing ground breaking concepts that continue to be at the forefront of the industry.

So it's no surprise our name Brio translates to Energy, Spirit and Vitality – the core values that drive us to always discover new solutions for our customers.

We are committed to the continuous improvement of quality. That is why Brio, located in Sydney, is certified to Quality Management System AS/NZS ISO 9001:2008.

Brio, part of the Allegion family of brands





Zero Clearance Glass

Zero Clearance Glass 80, 100 and 120

Open plan interiors allow daylight to flood rooms which would otherwise be limited to only dull ambient or harsh task lighting in homes and offices. Privacy and acoustic insulation are however important in many day to day activities, which is why Brio's Zero Clearance Glass provides the perfect balance of open plan benefits with the practicalities of room dividers.

Glass panels bring a new dimension to minimalism, which is accentuated with our virtually invisible 2.5mm clearance between glazing rail and track. The clean lines achieved by concealed hardware and low profile glazing rail allow the panel to appear as if suspended between floor and ceiling.

Zero Clearance Glass 180

For larger applications where panels need to move effortlessly, use our higher rated Brio Zero Clearance Glass to encapsulate a space or to expand a room. Whether open or closed glass panels are unobtrusive and allow life to flow in all environments.

An adjustable guide and versatile fittings allow 10mm and 12mm toughened glass panels to be accommodated by the same hardware for up to 180kg.

Zero Clearance Timber

Zero Clearance Timber 80, 100 and 120

When screened privacy or the desire for a visually impactful panel is preferred, Brio Zero Clearance Timber can create flexible office and living spaces.

The new Brio 120R track allows a seamless application in commercial office and retail fit-outs as the extruded track has side rails which support and dress the edge of ceiling tiles.

Zero Clearance Timber 180 and 350

If sliding an access door, a room dividing wall or even artwork Brio Zero Clearance Timber will work smoothly. Panels can reach an impressive 3.3m high and 2.5m wide while appearing to float between floor and ceiling.

For applications up to 350kg, concealed hardware achieves clearances of 2.5mm between track and panel and the comprehensive Brio range of bottom channels and guides provides several options to extend the minimal zero clearance effect.

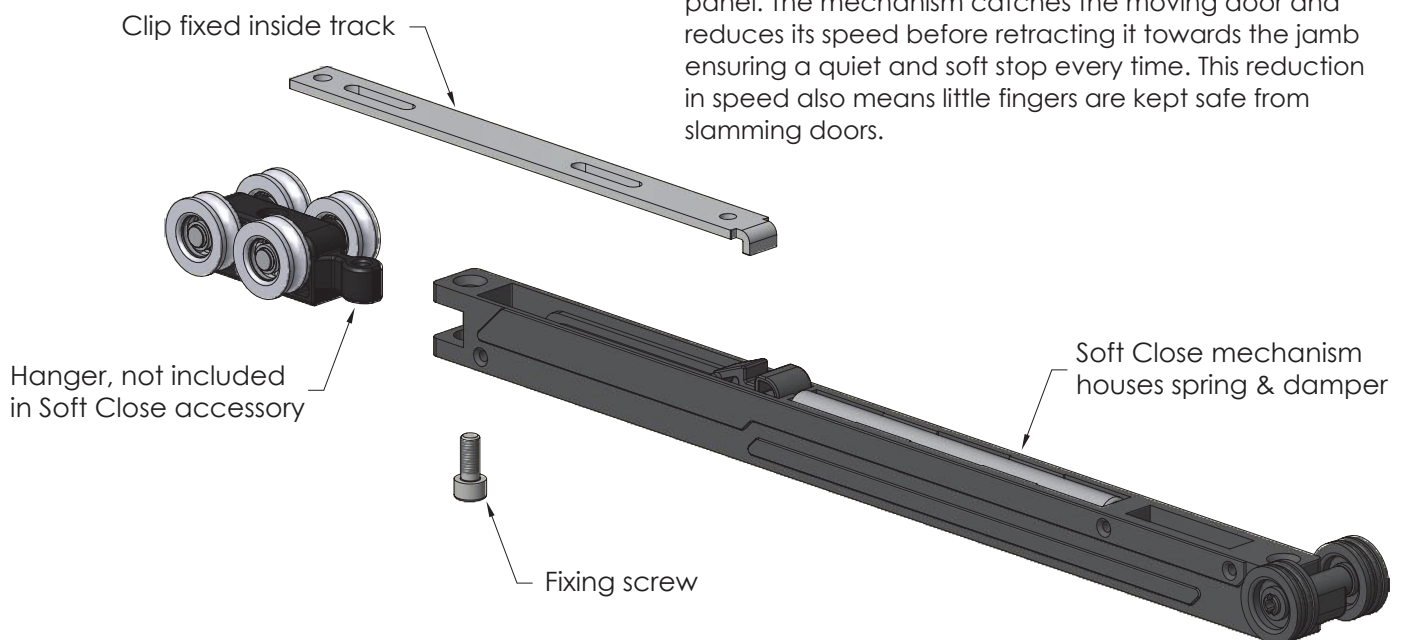


Soft Close 80 and 100

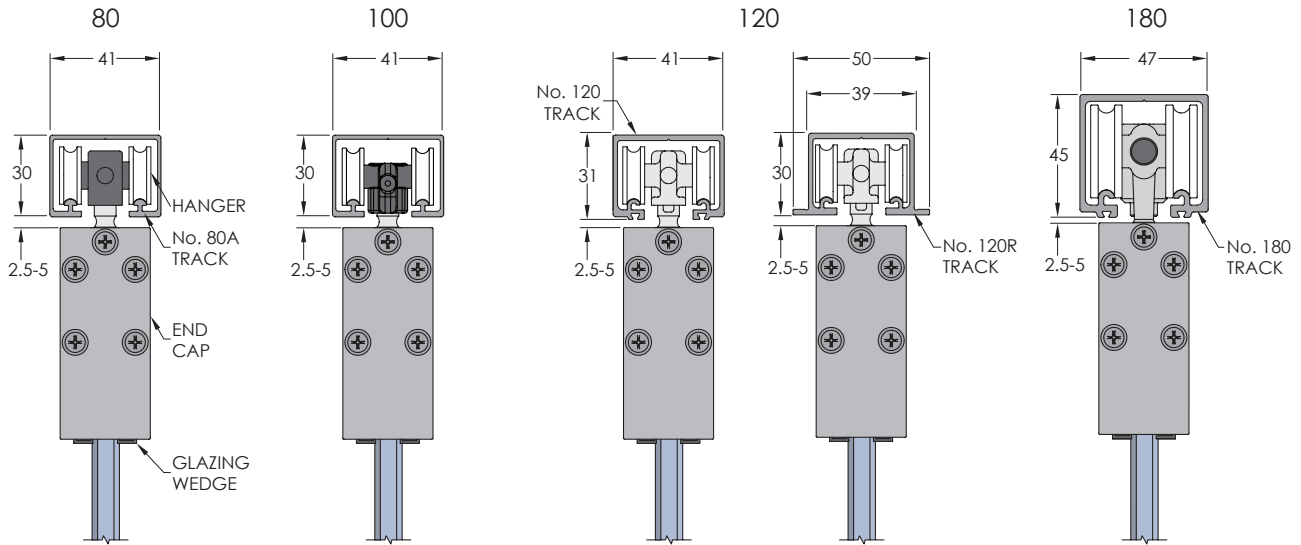
Zero Clearance 80 hanger shown

Brio's new Soft Close accessory is available for Zero Clearance Timber and Glass for panels up to 80 and 100kg. The neat design allows the device to be housed inside the track ensuring minimum clearances between track and panel are maintained.

The Soft Close is easy to install and simple to operate as the spring and damper work together to control the panel. The mechanism catches the moving door and reduces its speed before retracting it towards the jamb ensuring a quiet and soft stop every time. This reduction in speed also means little fingers are kept safe from slamming doors.

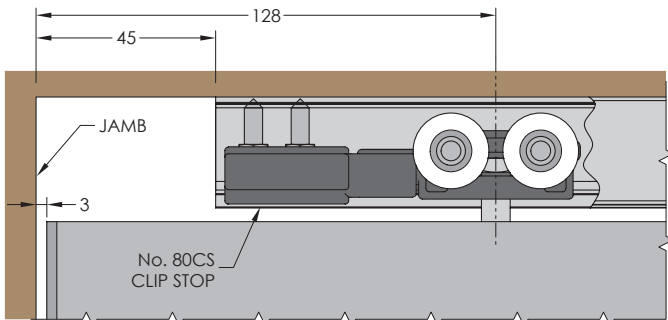


Zero Clearance Glass

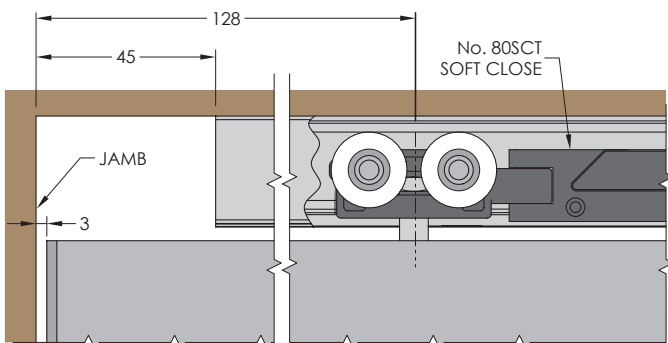


TRACK FIXING CENTRES

20mm FROM EACH END, 400mm MAXIMUM SPACINGS



ZERO CLEARANCE GLASS 80 SYSTEM WITH CLIP STOP SHOWN



ZERO CLEARANCE GLASS 80 SYSTEM WITH SOFT CLOSE SHOWN

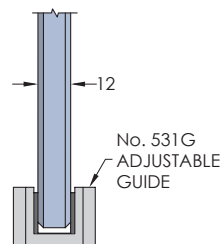
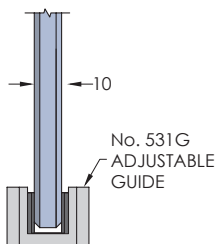
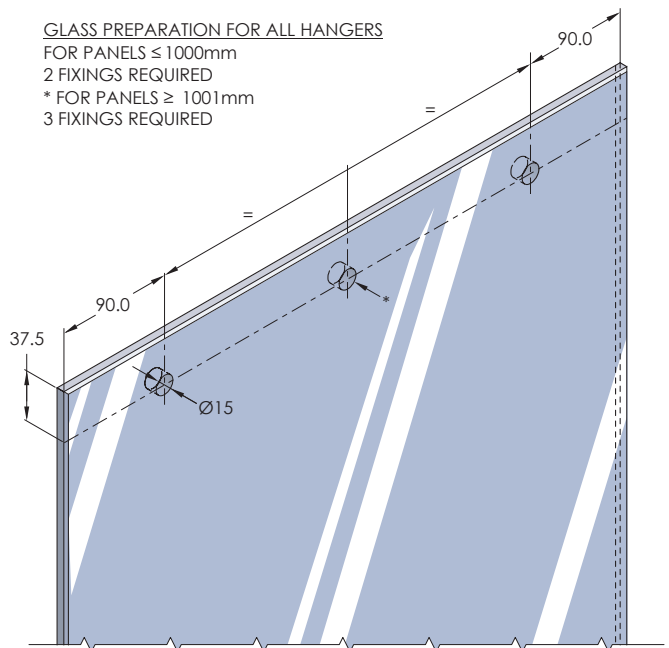
GLASS PREPARATION FOR ALL HANGERS

FOR PANELS $\leq 1000\text{mm}$

2 FIXINGS REQUIRED

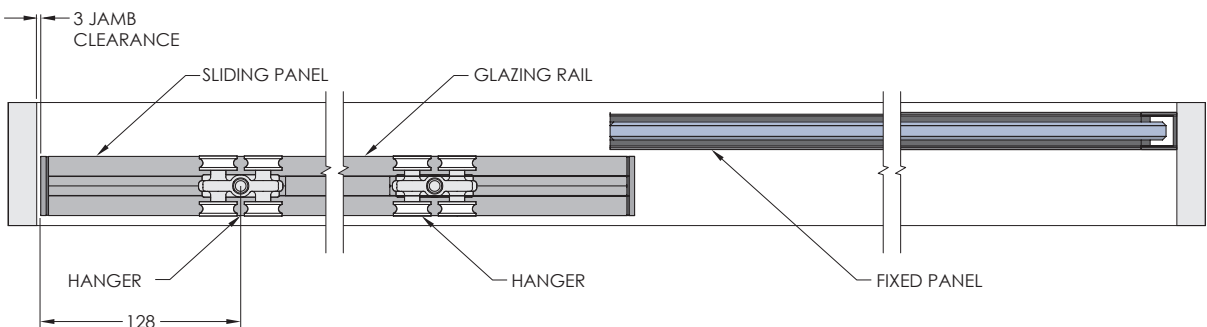
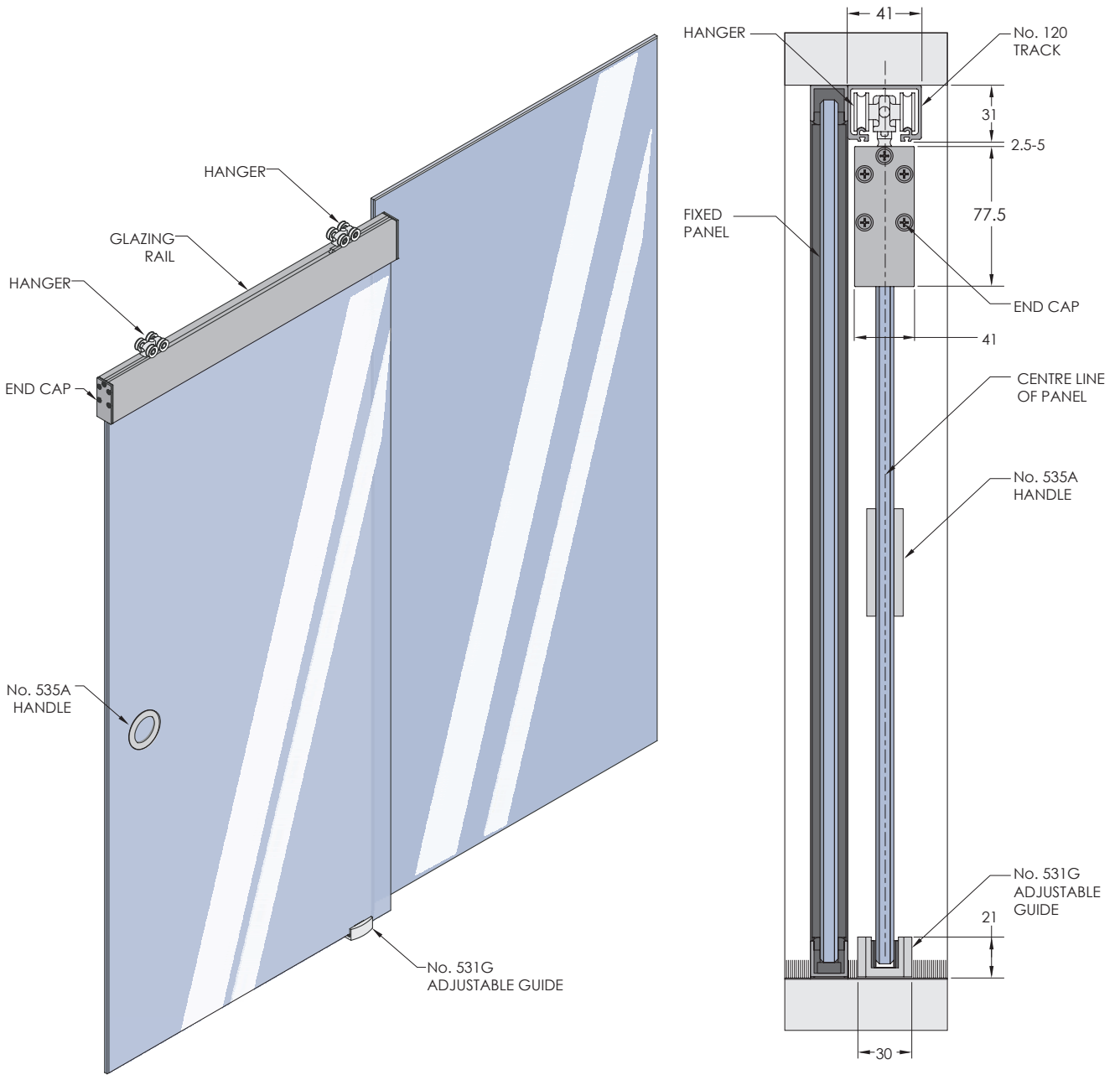
* FOR PANELS $\geq 1001\text{mm}$

3 FIXINGS REQUIRED

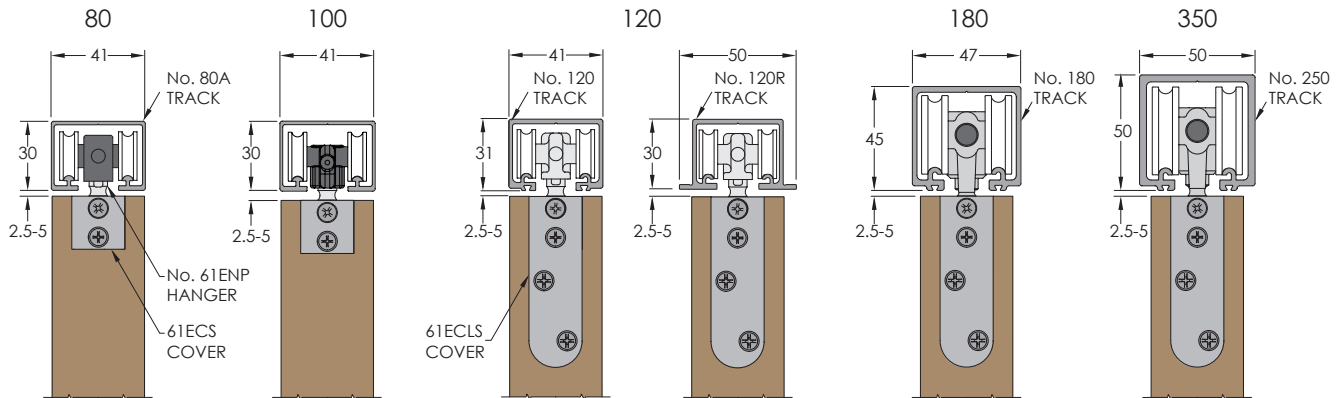


Zero Clearance Glass Fixed Panel Application

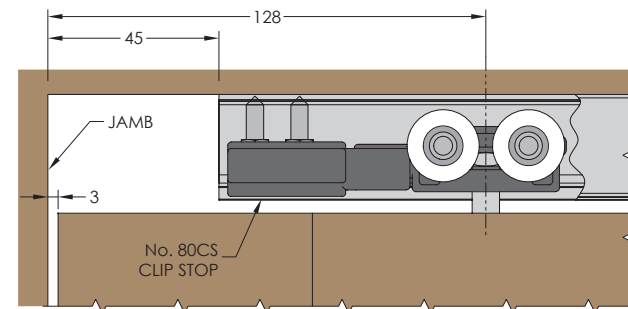
120 Series shown



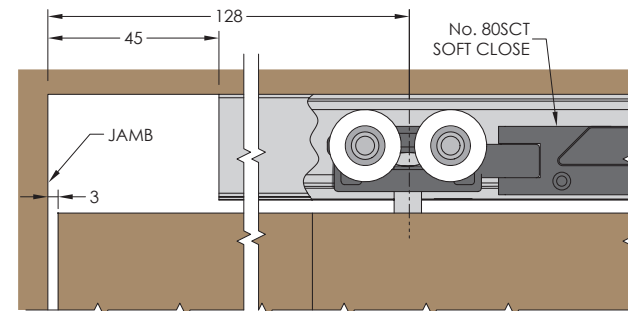
Zero Clearance Timber



TRACK FIXING CENTRES
20mm FROM EACH END, 400mm MAXIMUM SPACINGS

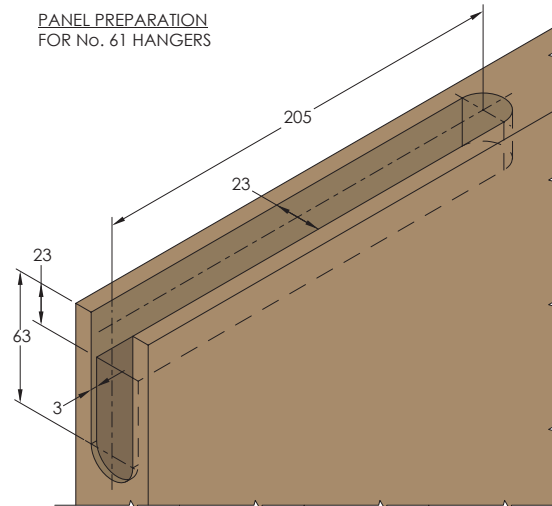


ZERO CLEARANCE TIMBER 80 SYSTEM WITH CLIP STOP SHOWN

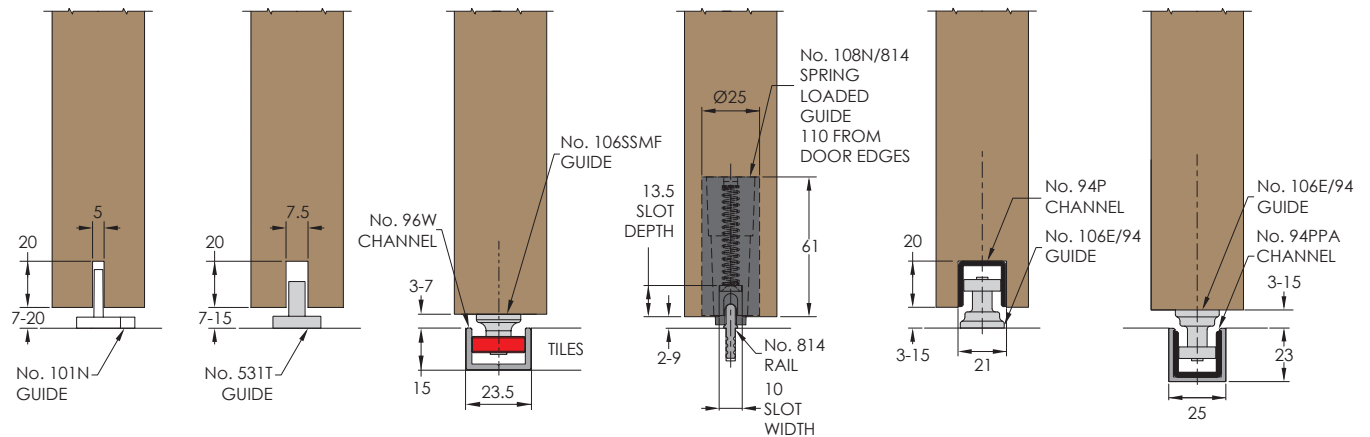


ZERO CLEARANCE TIMBER 80 SYSTEM WITH SOFT CLOSE SHOWN

PANEL PREPARATION FOR No. 61 HANGERS

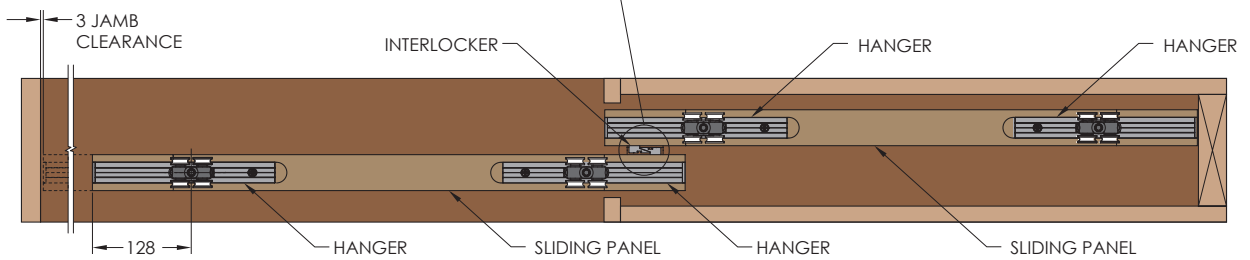
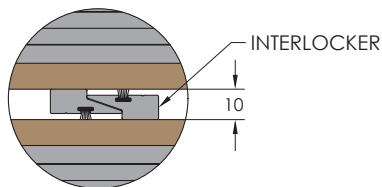
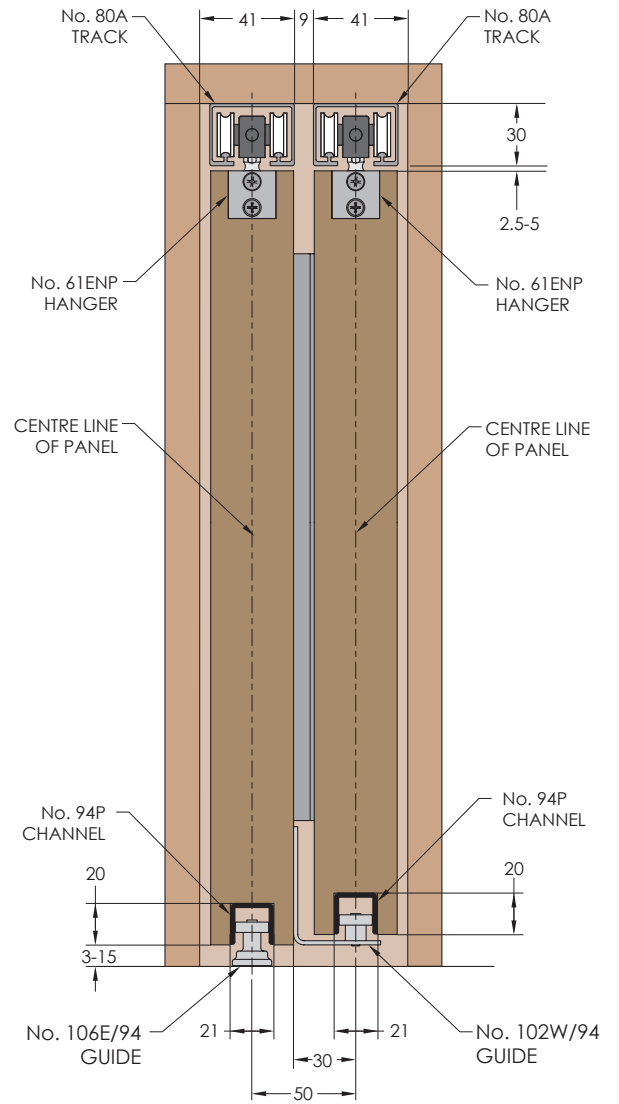
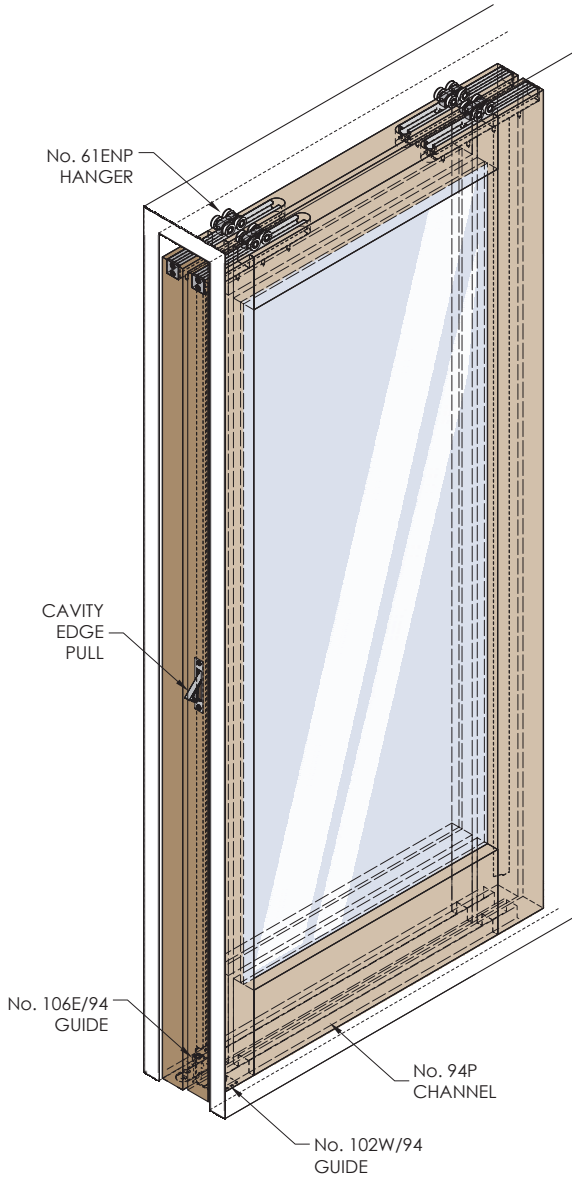


GUIDE OPTIONS



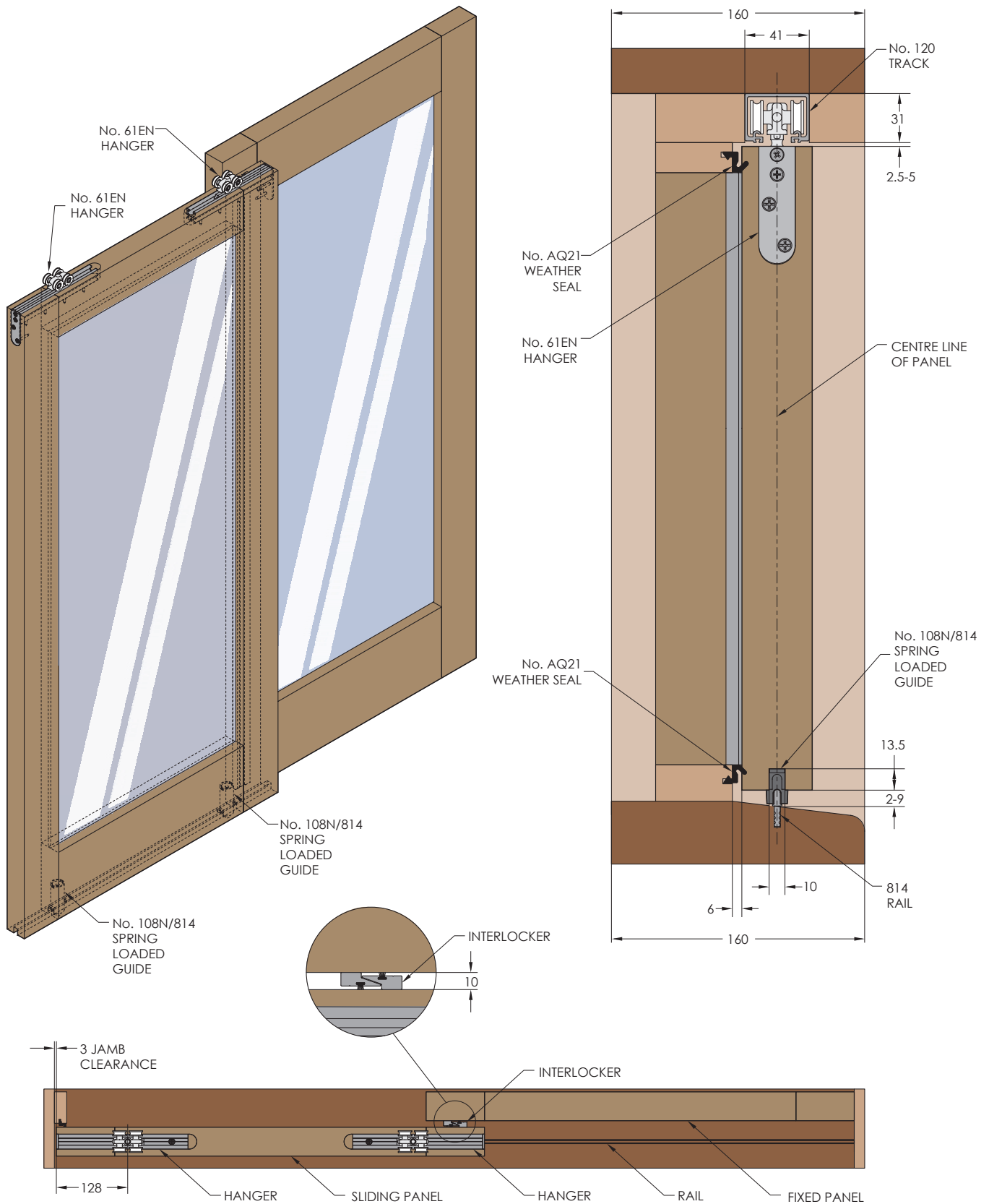
Zero Clearance Timber Concealed Panel Application

80 Series shown



Zero Clearance Timber Fixed Panel External Application

120 Series shown



Specifications

Zero Clearance Glass

Panel Specification	80 Series	100 Series	120 Series	180 Series
Maximum Panel Weight	80kg	100kg	120kg	180kg
Maximum Panel Height	3000mm			
Maximum Panel Width	1500mm			
Maximum Panel Thickness	12mm			
Minimum Panel Thickness	10mm			
Pack includes 2 hangers, door stops, glazing rail, glazing bead, guide 531G, handle 535A and fixings				
Single Panel ≤ 1200mm wide	ZG80-12/1	ZG100-12/1	ZG120-12/1	ZG180-12/1
Single Panel ≤ 1500mm wide	ZG80-15/1	ZG100-15/1	ZG120-15/1	ZG180-15/1
Track				
Aluminium Track	80A	120 & 120R		180
Clear Anodising	25µm	25µm & 15µm		25µm
Standard Lengths	2000mm, 3000mm, 4000mm and 6000mm			
Guide				
Stainless Steel Adjustable Guide	531G			
Accessories				
Stainless Steel Adhesive Handle	535A			
Stainless Steel Glass Handle	535G			
Soft Close	80SCT	100SCT		

Zero Clearance Timber

Panel Specification	80 Series	100 Series	120 Series	180 Series	350 Series
Maximum Panel Weight	80kg	100kg	120kg	180kg	350kg
Maximum Panel Height	3000mm	3000mm	3000mm	3000mm	3300mm
Minimum Panel Thickness	32mm	32mm	32mm	40mm	40mm
Door Stop					
Clip Stop	80CS	80CS			
Door Stop			120DS	180DS	180DS
Hangers					
Stainless Steel Precision Bearings	61SS/ENP	61SS/DN	61SS/EN	61SS/GN	61SS/HN
Chrome Precision Bearings	61ENP	61DN	61EN	61GN	61HN
Track					
Aluminium Track	80A	120 & 120R		180	250
Clear Anodising	25µm	25µm & 15µm		25µm	25µm
Standard Lengths	2000mm, 3000mm, 4000mm and 6000mm				
Guide					
Sawcut Guide				101N	
Stainless Steel Sawcut Guide				531T	
Stainless Precision Bearing				106E/94	
Stainless Precision Bearing - Double Door				102W/94SS	
Nylon Spring Loaded Guide				108N/814	
Channel					
Polypropylene (for 106E/94)				94P	
Anodised Aluminium and Polypropylene (for 106E/94)				94PPA	
Anodised Aluminium Rail (for 108N/814)				814A	
Standard Lengths	2000mm, 3000mm, 4000mm and 6000mm				
Accessories					
Stainless Steel Timber Handle				535T	
Soft Close	80SCT	100SCT			

Brio®

Brio – Australia

PO Box 604, Chester Hill, 2162
C5 - C7, Regents Park Estate, 391 Park Road,
Regents Park, NSW 2143, Australia
Phone +61 2 8718 6718 Fax +61 2 8718 6719
www.brio.com.au
email: brío.sales@allegion.com

Brio – UK

Unit 30 Gateway West, Kingfisher Boulevard, Newburn Riverside,
Newcastle Upon Tyne, NE15 8NZ, United Kingdom
Phone +44 (0) 191 2291224 Fax +44 (0) 191 2677891
www.briouk.com
email: brío.sales.uk@allegion.com

Brio – USA

85 Mushroom Blvd
Rochester, NY 14623-3201
Toll Free +1 855 586 6251 Phone +1 585 319 5599 Fax +1 585 319 5741
www.briousa.com
email: brío.sales.usa@allegion.com

About Allegion

Allegion (NYSE: ALLE) is a global pioneer in the field of safety and security. We keep people and their property safe, wherever they are, bringing together simple solutions and advanced technology. Allegion is a \$2 billion company, with products sold in almost 130 countries. For more, visit www.brio.com.au

